



72 x 72mm

Features :

- Preset Counter
- Thumbwheel Setting
- Auto Reset
- Memory Retention

Display Specifications

Display	4 digits single 7 segment LED display
LED Indication	Relay ON

Input Specifications

Sensor Type	NPN / PNP
Input Type	Voltage pulse (5 to 30V DC) from Proximity switches, Encoders, Solid state devices, Potential free contact
Input Speed	a) 30Hz b) 5kHz
Reset	Front, Remote, Auto

Output Specifications

Sensor Supply	Inbuilt, 12V DC, 30mA
Relay Contact	2 C/O SPDT
Contact Rating	5A @ 250V AC / 28V DC

Functional Specifications

Modes	ON delay / Interval
Ranges	9999 counts
Autoreset	Yes (selectable upto 7 sec)
Set Point	1
Counting Direction	Up
Memory Retention	Yes (selectable)

Auxiliary Supply Specifications

Supply Voltage	90 to 270V AC / DC (50Hz or 60Hz)
----------------	-----------------------------------

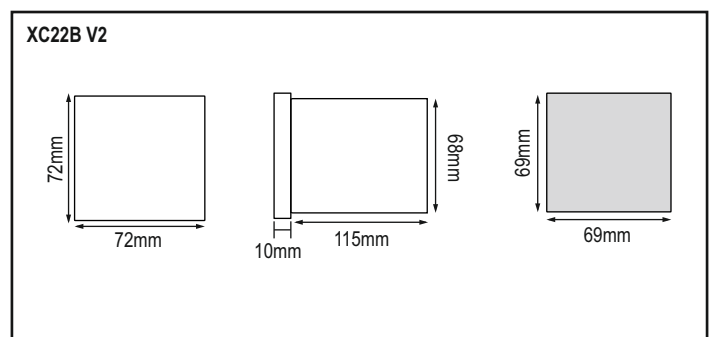
Environmental Specifications

Temperature	Operating: 0 to 50°C Storage: -5 to 50°C
Humidity (non - condensing)	95% RH

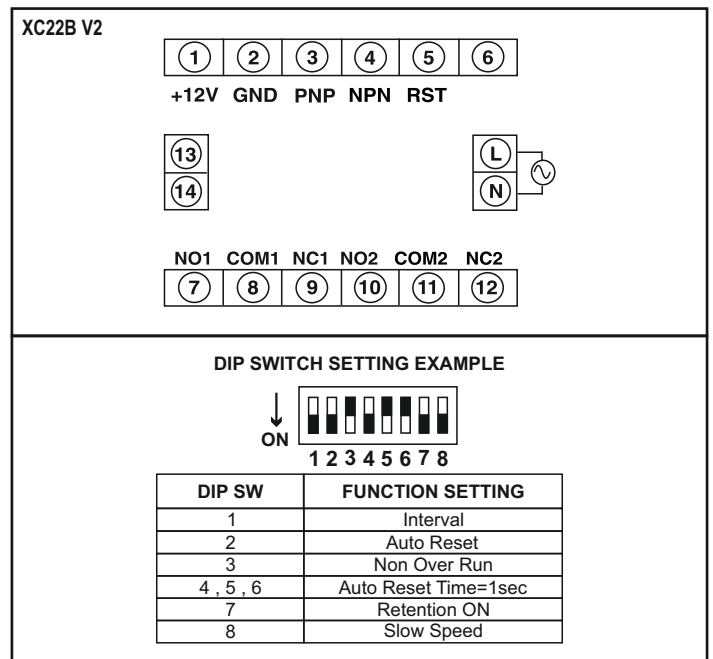
Mechanical Specifications

Mounting	Panel Mount
Weight	210gms

Dimensions



Terminal Connections



Ordering Information

Product Code	Supply Voltage	Memory Retention
XC22B V2	90 to 270V AC/DC	Yes